

COMPUTER DESK

CS 170* - with ABS edges
- with curved top

W 59 x H 28,80/34 x D 29,10"
W 1500 x H 732/864 x D 740 mm

versions:



maple finish



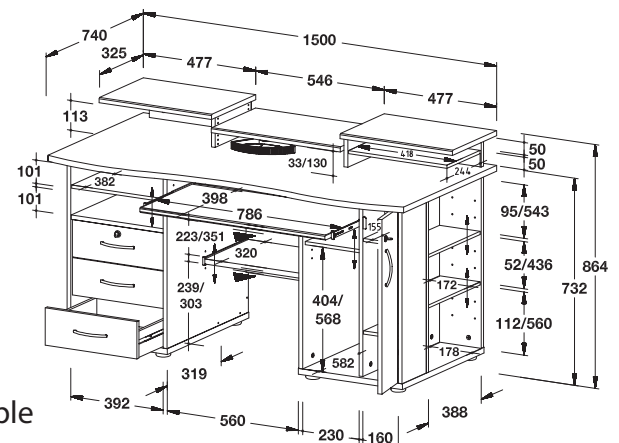
beech finish



cherrywood finish

- top unit with monitor platform, height adjustable, pencil tray, pivoting and storage compartments on left/right
- on left: storage compartments for binders, on the side
- 1 storage compartment with adjustable shelf, variable
- 3 drawers, 1 of them lockable
- in the middle: 1 large telescopic shelf for keyboard and mouse, variable
- 1 telescopic shelf for printer, variable
- on right: tower compartment with adjustable shelf, variable
- storage compartment, on the side, with 2 adjustable shelves,
- compartment with holder for 24 CD-ROMs and door, lockable

(Fig.)



*E 1 chip boards, melamine resin coated

Decor: finish

MADE IN GERMANY *Model protected by German design patent