



**We are a company that prides itself on providing  
the very BEST IN HOME OFFICE Solutions**



Call Sales - 01443 816 982

Fax - 01443 814 151

## About Jual Furnishings

Established in 2006, Jual Furnishings Ltd has become a respected supplier of Quality AV Furniture throughout the industry.

Jual Furnishings are committed to using only the Highest Quality materials in our products to provide the perfect finish. We also only ever use Toughened Safety Glass which conforms with BS6206A Safety Standards.

We are proud of the service we provide to our customers. We are committed to providing a first class service, first time, every time.

As a customer of Jual you would benefit from:

- Excellent Quality Products at Affordable Prices
- New Unique Designs
- Products that fit in with the lifestyles of today
- Full After Sales Service
- No Minimum Order Quantities
- Next Day Delivery Service\*\*

We aim to ensure our Customers get a Prompt, Reliable and Friendly service and to only provide them with a Quality product we would buy ourselves

We invite you to enjoy our new brochure and look forward to being of service to you in the future.

\*\* Terms May Apply

Jual Furnishings  
Unit 14  
Alder Avenue  
Withey Dyffryn Court  
Dyffryn Business Park  
Ystrad Mynach  
Hengoed  
Mid - Glamorgan  
CF82 7TT

**w:** [www.jualfurnishings.co.uk](http://www.jualfurnishings.co.uk)

**E:** [Info@jualfurnishings.co.uk](mailto:Info@jualfurnishings.co.uk)

Company Number: 05863188 & VAT NO: 885 9999 15



*Curve Desk  
Range*





JUAL FURNISHINGS

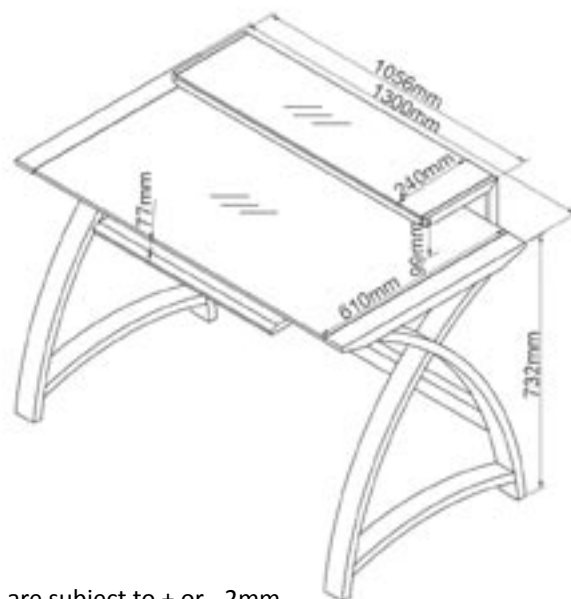
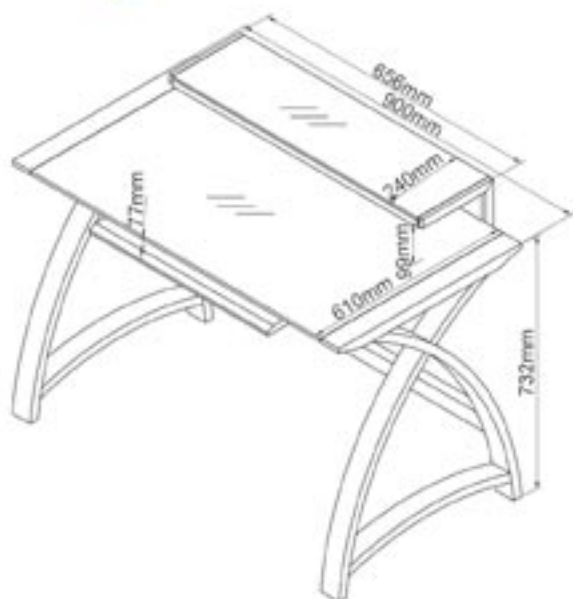
# *Curve Desk Range*



**PC201**

**COMPUTER DESK**

[www.jualfurnishings.co.uk](http://www.jualfurnishings.co.uk) | call sales - 01443 816 982 | fax - 01443 814 151



\*Measurements are subject to + or - 2mm

## PC201

### Features...

- Available in 2 finishes - Real Walnut wood veneer mixed with Piano Black Glass & Real Oak wood veneer with Milk White Glass
- Sumptuous Curved wood makes this desk Unique
- Modern Glass workstation also features a sliding keyboard shelf as standard
- Designed with toughened safety glass (BS6206A) to ensure complete customer safety
- Real woods that compliment contemporary furniture in today's home

### Stock Code

PC201-1300 WB –Walnut/Black Glass / PC201-900 WB – Walnut/Black Glass  
 PC201-1300 OW- Oak/White Glass / PC201-900 OW- Oak/White Glass

\*\*\* As we use Real Wood Veneers some colours may vary

<b>GLASS THICKNESS (mm)</b>	
Top	8
Middle	8
<b>SHELF LOADING (Kg)</b>	
Top	60
Middle	80
<b>900 Wide</b>	
Flat Pack Weight (Kg)	27.4
<b>1300 Wide</b>	
Flat Pack Weight (Kg)	32.5



JUAL FURNISHINGS

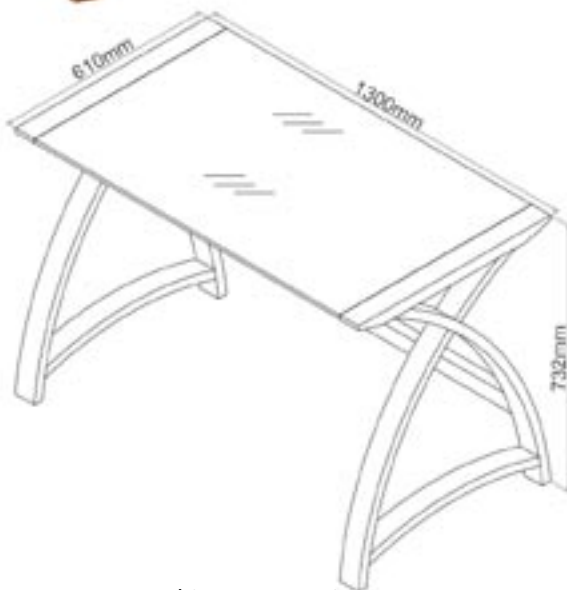
# *Curve Office Range*



**PC201**

**LAPTOP TABLE / WORK TABLE**

[www.jualfurnishings.co.uk](http://www.jualfurnishings.co.uk) | call sales - 01443 816 982 | fax - 01443 814 151



\*Measurements are subject to + or - 2mm

**PC201 LT**

*Features...*

- Available in 2 finishes - Real Walnut wood veneer mixed with Piano Black Glass & Real Oak wood veneer with Milk White Glass
- Sumptuous Curved wood makes this desk Unique
- This Desk/Table can be used alongside the PC201 1300 or 900 Desk either on the Left or Right side to provide extra work space Or it can be used as a stand alone desk or Laptop Desk
- A corner connector can be added to change this into a corner set when connected to the PC201 Computer Desk
- Designed with toughened safety glass (BS6206A) to ensure complete customer safety
- Real woods that compliment contemporary furniture in today's home

**Stock Code**

*PC201-1300 LT -WB-Walnut/Black Glass*

*PC201-1300 LT- OW- Oak/White Glass*

\*\*\* As we use Real Wood Veneers some colours may vary



**GLASS THICKNESS (mm)**

Top 8

**SHELF LOADING (Kg)**

Top 60

**Flat Pack Weight (Kg)**

27.4





JUAL FURNISHINGS

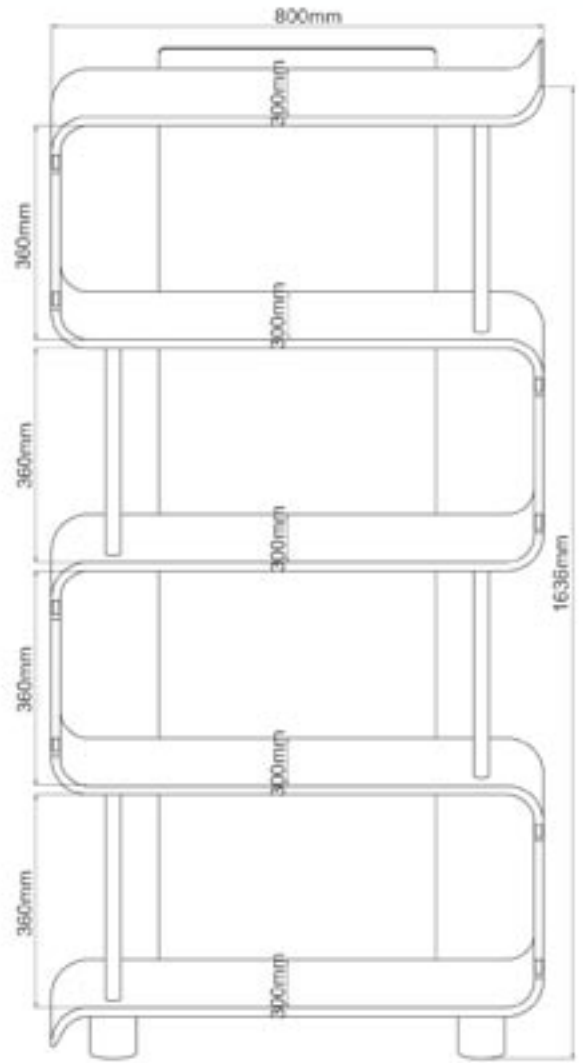
# Curve Office Range



**PC201**

**BOOKSHELF**

[www.jualfurnishings.co.uk](http://www.jualfurnishings.co.uk) | call sales - 01443 816 982 | fax - 01443 814 151



\*Measurements are subject to + or - 2mm

**BS201**

*Features...*

- Available in 2 finishes - Real Walnut wood veneer & Real Oak wood veneer
- Constructed of Real Curved Wood with High Quality Chrome Tubes
- A sturdy piece of furniture that will maximise your storage space
- The BS201 bookcase compliments both the Office range and the Curve TV Stand Range

**Stock Code**

*BS201 -WAL-Walnut*

*BS201 -OAK- Oak*

<b>Shelf Thickness (mm)</b>	<b>15</b>
<b>Shelf Loading (Kg)</b>	<b>20</b>
<b>Flat Pack Weight (Kg)</b>	<b>37</b>

Walnut      Oak



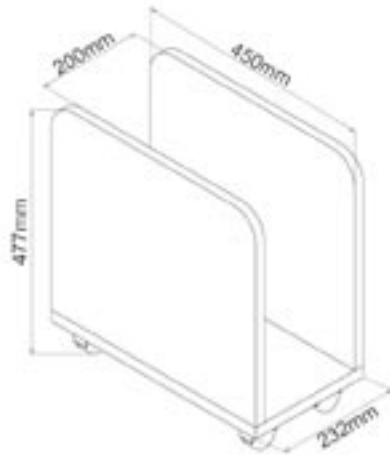
\*\*\* As we use Real Wood Veneers some colours may vary





JUAL FURNISHINGS

# Curve Office Range



Walnut Oak



**Stock Code**

*PC201- TR- OAK*

*PC201- TR Walnut*

**PC201**

**TOWER TROLLEY**

[www.jualfurnishings.co.uk](http://www.jualfurnishings.co.uk) | call sales - 01443 816 982 | fax - 01443 814 151



JUAL FURNISHINGS

# Curve Office Range



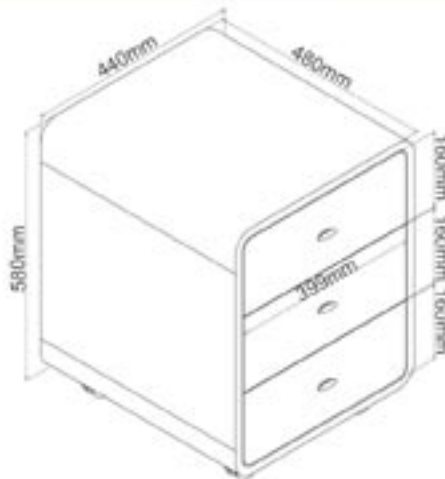
Walnut    Oak



**Stock Code**

*PC201-DR- Oak*

*PC201-DR Walnut*



\*\*\* As we use Real Wood Veneers some colours may vary

**DRAWER SET**

**PC201**



JUAL FURNISHINGS

# Curve Office Range



## PC201-CC

### Features...

- The modular curve office range can be connected using the versatile Glass Corner Connector to create a corner unit
- The corner connector is versatile because of its ability to be fitted to the Curve PC201 desks either left handed or right handed
- Designed with Toughened Safety Glass(BS6206A) to ensure complete customer safety
- Available in Black Glass or White Glass to compliment both finishes on the PC201 range

### Stock Code

PC201-CCB – Black Glass

PC201 CCW – White Glass



**PC201**

**CORNER CONNECTOR**

[www.jualfurnishings.co.uk](http://www.jualfurnishings.co.uk) | call sales - 01443 816 982 | fax - 01443 814 151



*Classic Desk  
Range*





JUAL FURNISHINGS

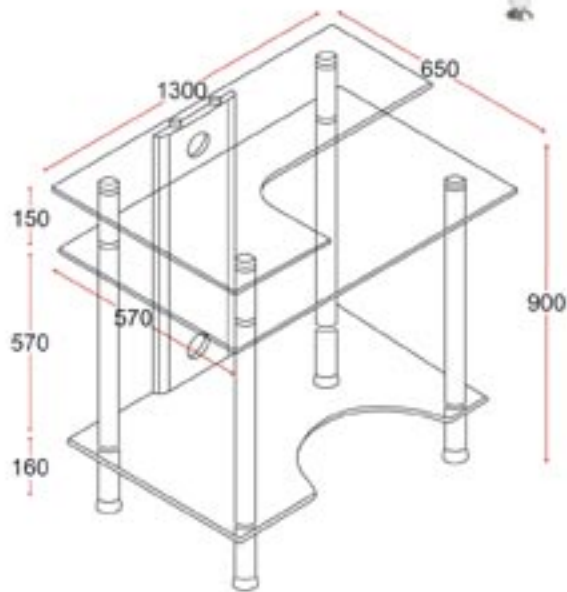
# Classic Office Range



**PC001**

**COMPUTER DESK**

[www.jualfurnishings.co.uk](http://www.jualfurnishings.co.uk) | call sales - 01443 816 982 | fax - 01443 814 151



\*Measurements are subject to + or - 2mm

**PC001**

*Features...*

- Constructed of Aluminium Uprights with either Frosted or Glossy Piano Black Glass
- Designed with Toughened Safety Glass(BS6206A) to ensure complete customer safety
- Bottom shelf offers extra shelving and enhances stability
- Fully enclosed cable management system to hide unsightly cables

**Stock Code**

*PC001 LRF (Frosted Glass/Silver Legs)*

*PC001 LRB (Black Glass/Silver Legs)*



**GLASS THICKNESS (mm)**

Top	8
Middle	8
Bottom	10

**SHELF LOADING (Kg)**

Top	65
Middle	65
Bottom	85

**Flat Pack Weight (Kg)**

54



JUAL FURNISHINGS

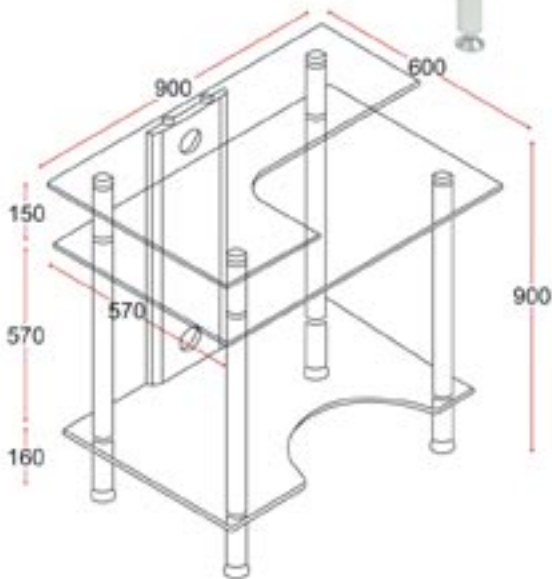
# *Classic Office Range*



**PC002**

**COMPUTER DESK**

[www.jualfurnishings.co.uk](http://www.jualfurnishings.co.uk) | call sales - 01443 816 982 | fax - 01443 814 151



\*Measurements are subject to + or - 2mm

**PC002**

*Features...*

- Constructed of Aluminium Uprights with either Frosted or Glossy Piano Black Glass
- A contemporary design that compliments the modern home
- Designed with Toughened Safety Glass(BS6206A) to ensure complete customer safety
- Bottom shelf offers extra shelving and enhances stability
- Fully enclosed cable management system to hide unsightly cables

**Stock Code**

*PC002 SRF (Frosted Glass/Silver Legs)*

*PC002 SRB (Black Glass/ Silver Legs)*



<b>GLASS THICKNESS (mm)</b>	
Top	8
Middle	8
Bottom	10
<b>SHELF LOADING (Kg)</b>	
Top	65
Middle	65
Bottom	85
<b>Flat Pack Weight (Kg)</b>	<b>35</b>



JUAL FURNISHINGS

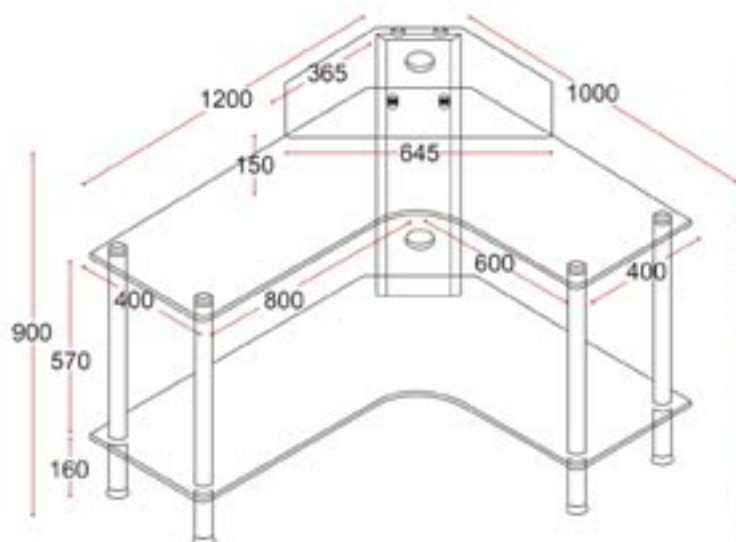
# *Classic Office Range*



**PC003**

**CORNER COMPUTER DESK**

[www.jualfurnishings.co.uk](http://www.jualfurnishings.co.uk) | call sales - 01443 816 982 | fax - 01443 814 151



\*Measurements are subject to + or - 2mm

**PC003**

*Features...*

- Constructed of Aluminium Uprights with either Frosted or Glossy Piano Black Glass
- A compact piece of furniture that is versatile for fitting in corners
- Designed with Toughened Safety Glass(BS6206A) to ensure complete customer safety
- Bottom shelf offers extra shelving and enhances stability
- Fully enclosed cable management system to hide unsightly cables

**Stock Code**

*PC003 LCF (Frosted Glass/Silver Legs)*

*PC003 LCB (Black Glass/ Silver Legs)*



<b>GLASS THICKNESS (mm)</b>	
Top	8
Middle	8
Bottom	10
<b>SHELF LOADING (Kg)</b>	
Top	65
Middle	65
Bottom	85
<b>Flat Pack Weight (Kg)</b>	
	60



JUAL FURNISHINGS

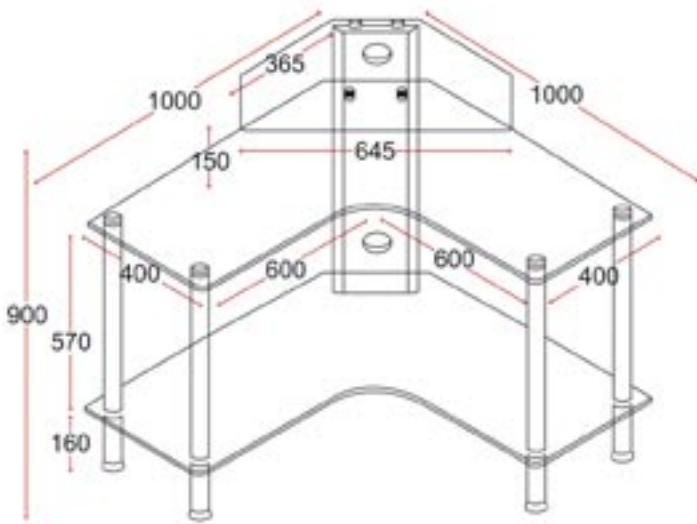
# *Classic Office Range*



**PC004**

**CORNER COMPUTER DESK**

[www.jualfurnishings.co.uk](http://www.jualfurnishings.co.uk) | call sales - 01443 816 982 | fax - 01443 814 151



\*Measurements are subject to + or - 2mm



**PC004**

*Features...*

- Constructed of Aluminium Uprights with either Frosted or Glossy Piano Black Glass
- A compact piece of furniture that is versatile for fitting in corners
- Designed with Toughened Safety Glass(BS6206A) to ensure complete customer safety
- Bottom shelf offers extra shelving and enhances stability
- Fully enclosed cable management system to hide unsightly cables

**Stock Code**

*PC004 SCF (Frosted Glass/Silver Legs)*

*PC004 SCB (Black Glass/ Silver Legs)*

GLASS THICKNESS (mm)	
Top	8
Middle	8
Bottom	10
SHELF LOADING (Kg)	
Top	65
Middle	65
Bottom	85
<b>Flat Pack Weight (Kg)</b>	<b>47</b>



JUAL FURNISHINGS

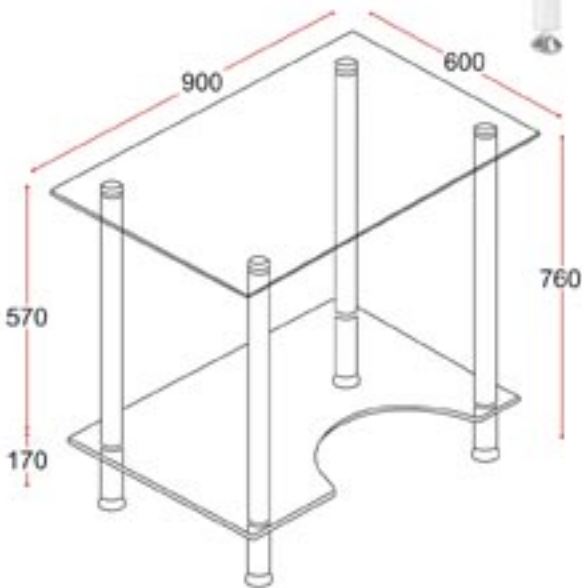
# *Classic Office Range*



**PC005**

**LAPTOP/COMPUTER DESK**

[www.jualfurnishings.co.uk](http://www.jualfurnishings.co.uk) | call sales - 01443 816 982 | fax - 01443 814 151



\*Measurements are subject to + or - 2mm

**PC005**

*Features...*

- Constructed of Aluminium Uprights with either Frosted or Glossy Piano Black Glass
- A compact piece of furniture that can be used with either your laptop or desktop computer
- Designed with Toughened Safety Glass(BS6206A) to ensure complete customer safety
- Bottom shelf offers extra shelving and enhances stability

**Stock Code**

*PC005 LTF (Frosted Glass/Silver Legs)*

*PC005 LTB (Black Glass/ Silver Legs)*



**GLASS THICKNESS (mm)**

Top	8
Middle	10

**SHELF LOADING (Kg)**

Top	65
Middle	85

**Flat Pack Weight (Kg)**

	25
--	----



JUAL FURNISHINGS

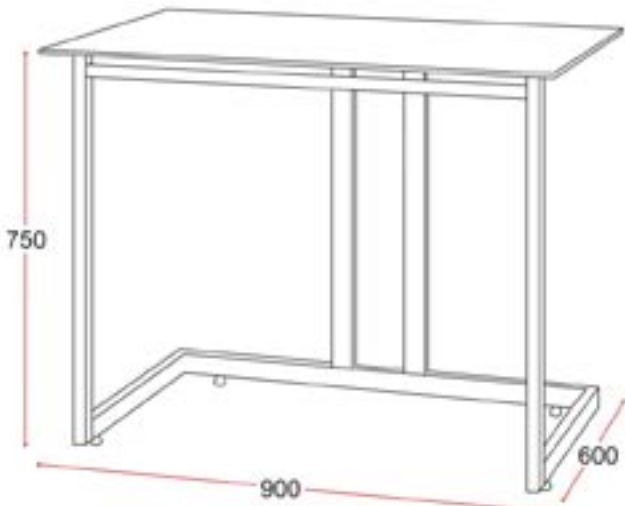
# *Classic Office Range*



**PC006**

**LAPTOP/COMPUTER DESK**

[www.jualfurnishings.co.uk](http://www.jualfurnishings.co.uk) | call sales - 01443 816 982 | fax - 01443 814 151



\*Measurements are subject to + or - 2mm

**PC006**

*Features...*

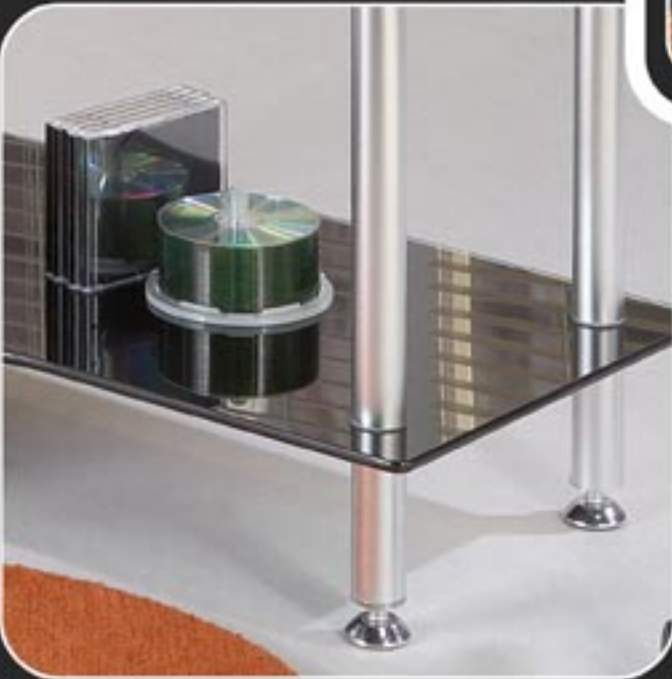
- A Modern Piano Black Glass Work station
- Constructed with a quality powder coated Steel Frame  
Clean Modern appeal
- A compact piece of furniture that can be used with either your laptop or desktop computer
- A sturdy frame ensures excellent stability for your equipment
- Designed with Toughened Safety Glass(BS6206A) to ensure complete customer safety

**Stock Code**

*PC006 SDB (Black Glass/Silver Legs)*



<b>GLASS THICKNESS (mm)</b>	<b>8</b>
<b>SHELF LOADING (Kg)</b>	<b>65</b>
<b>Flat Pack Weight (Kg)</b>	<b>20</b>



*Constructed with quality materials*

*Proven products with a first class service*



**Call Sales - 01443 816 982**

**Fax - 01443 814 151**

Jual Furnishings  
Unit 14  
Alder Avenue  
Withey Dyffryn Court  
Dyffryn Business Park  
Ystrad Mynach  
Hengoed  
Mid - Glamorgan  
CF82 7TT

**w: [www.jualfurnishings.co.uk](http://www.jualfurnishings.co.uk)**

**E: [Info@jualfurnishings.co.uk](mailto:Info@jualfurnishings.co.uk)**

Company Number: 05863188 & VAT NO: 885 9999 15